



PRODUCT ASSEMBLY INSTRUCTIONS:

www.wavearmor.com

Item # | Product Name: #302082, 302081, 302037 Raised Pipe Mount 4", 3", & 2"

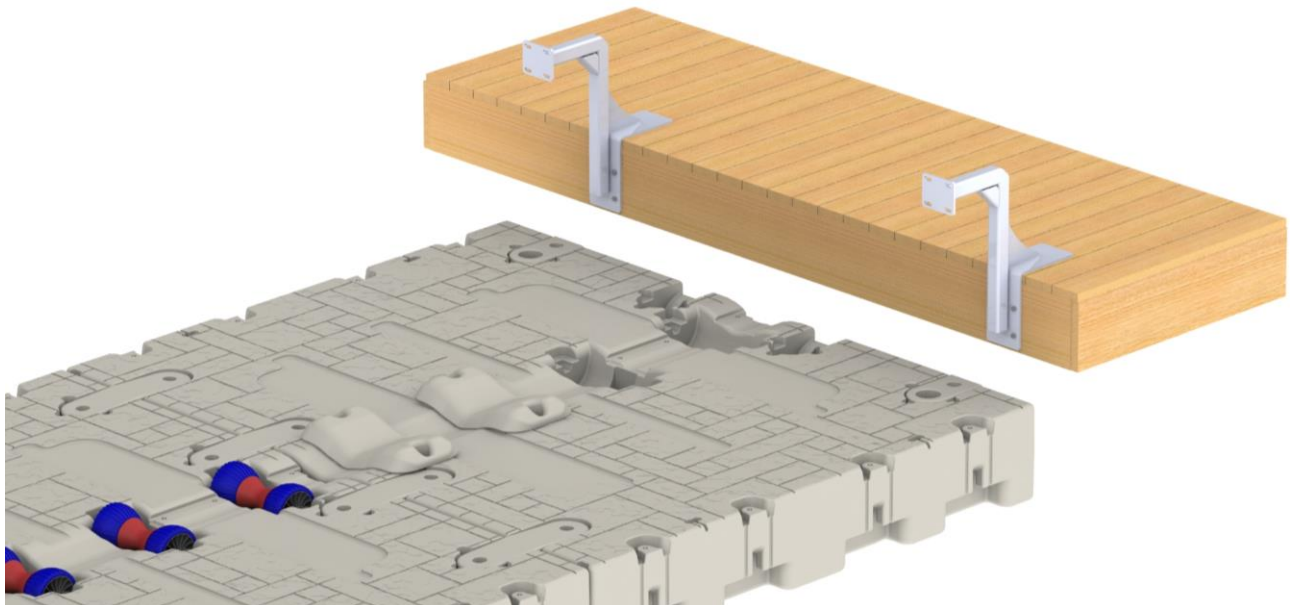
Parts List:	Tools Needed:
1. Raised pipe mount qty 2	1. Ratchet and 3/4" deep socket
2. U-bolt qty 4	2. 3/4" wrench
3. 1/2" nut qty 16	3.
4. 1/2" washer qty 8	4.
5.	5.

Assembly Instructions:

1. Attach the pipe mounts to the dock so they line up with the front pockets on the port. Use whatever hardware (not supplied) is required to attach them to the dock.



2. Position port in front of pipe mounts.



3. Insert pipes into front post holes on the port. Secure with the U-bolts, washers and jam nuts. To do this tighten each leg of the U-bolt against the plate with the washer and $\frac{1}{2}$ " nut. Then thread a second nut on and tighten the two nuts against each other to prevent them from coming loose. Repeat this process for all four of the U-bolts.

