



Wave Armor Tiki Hut Assembly

Instructions

- 1) Set all 8 leg assemblies in a circle free standing as shown in Figure 1. Make sure split leg is front and center.

ITEM NO.	PART NUMBER	QTY.
1	TIKI-1 REV B	1
2	TIKI-2 REV B	2
3	TIKI-3 REV B	1
4	TIKI-4 REV B	1
5	TIKI-5 REV B	1
6	TIKI-6 REV B	1
7	TIKI-7 REV B	1

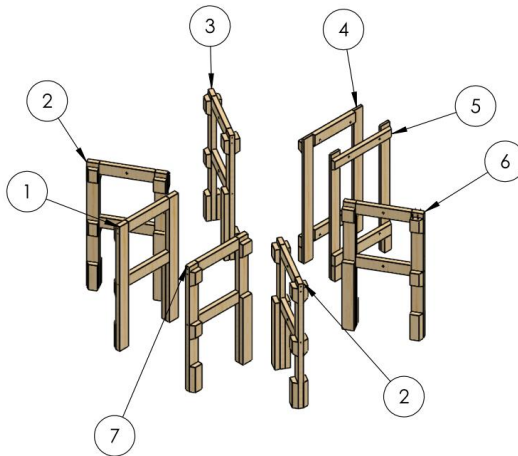
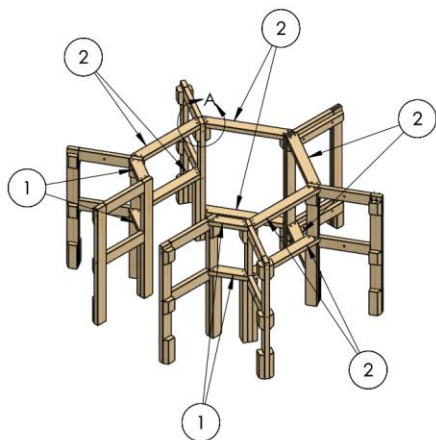
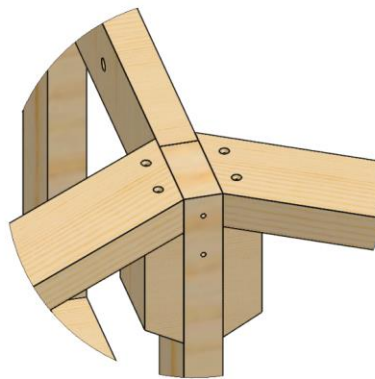


Figure 1

- 2) Set all inside cross bars in place free standing as shown in Figure 2.



ITEM NO.	PART NUMBER	QTY.
1	TIKI-C REV B	4
2	TIKI-D REV B	8



DETAIL A
SCALE 1 : 4

Figure 2



3) Set all outside cross bars in place as shown in Figure 3.

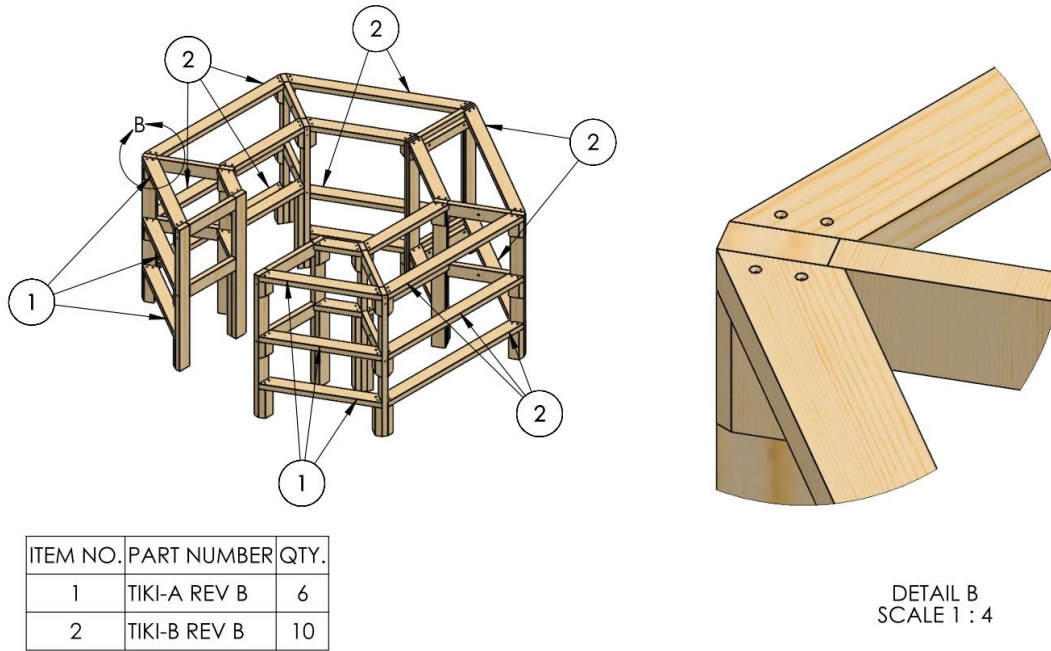


Figure 3

4) Using 3" screws (Bag #1), screw cross members to the leg assemblies as shown in Figure 4.

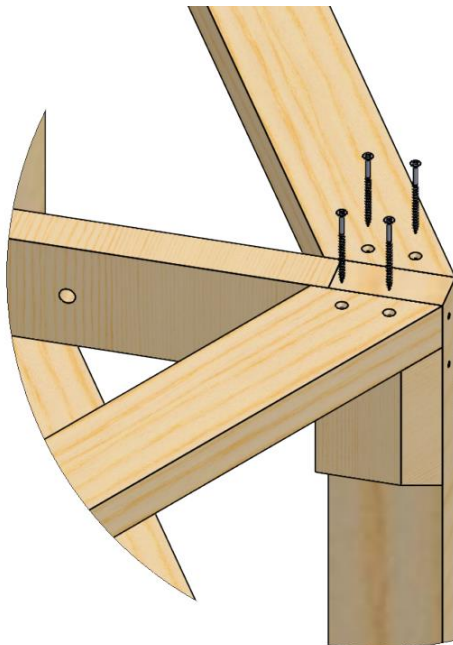


Figure 4



5) Place all shelves in place as shown in Figure 5. ***DO NOT screw these in place yet***

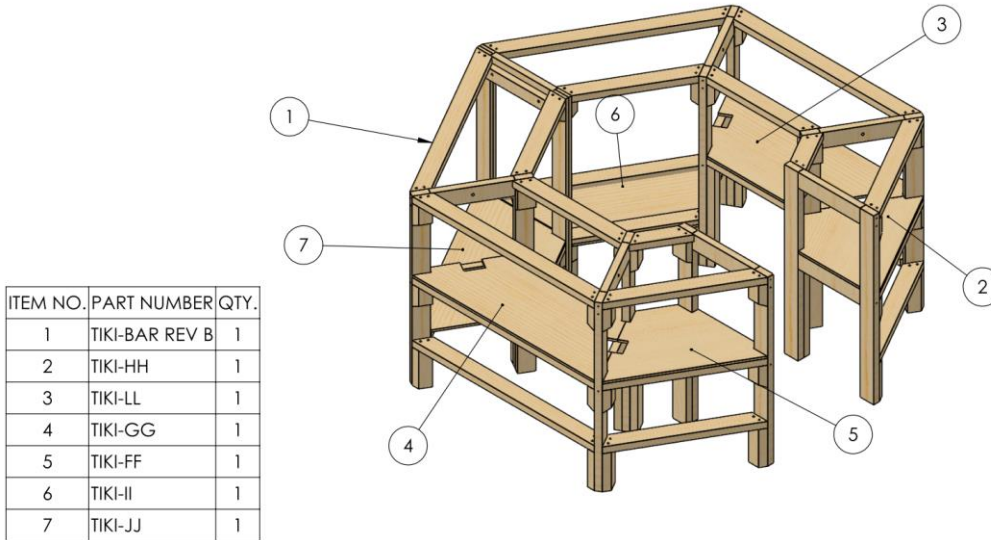


Figure 5

6) Slide the 4 cedar posts in place, making sure the slant is orientated correctly. Line up the top hole in the post with the hole on the bar; fasten the post with a 5" bolt, 2 washers and nuts (Bag #6) using the top hole. Then repeat for the bottom hole. See figure 6.

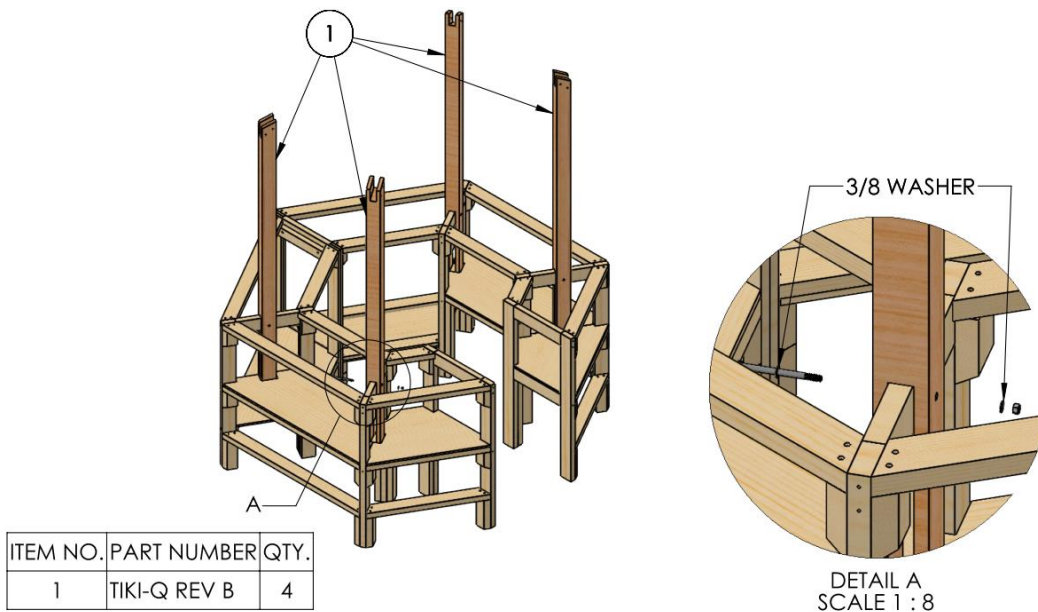


Figure 6



- 7) Place the bar top pieces in place by aligning all seams starting at the front center where the bar splits into two pieces. ***Make sure to fit up before adding exterior construction adhesive and finish nails.*** Once all pieces have been fit up, apply adhesive and nail all bar top pieces in place.

ITEM NO.	PART NUMBER	QTY.
1	TIKI-AA	1
2	TIKI-BB	2
3	TIKI-CC	1
4	TIKI-DD	1
5	TIKI-EE	1

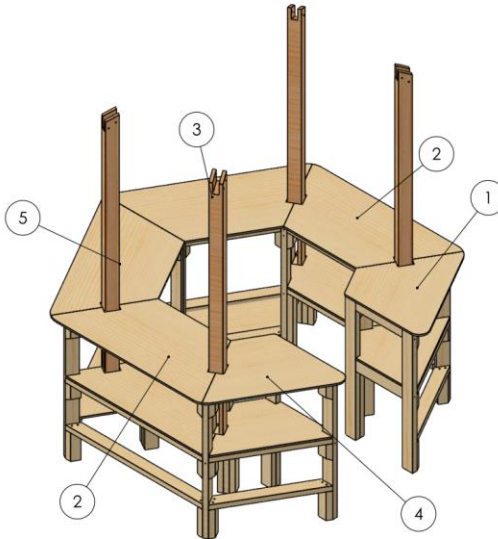


Figure 7

- 8) Align and screw interior shelves (from Step 5) into place using 2" screws(Bag #3).
 9) Screw the front face pieces of plywood onto the leg assemblies as shown in Figure 8 below using 2" screws(Bag #3). Pre-drill 1/8" holes in the pattern shown below (red dots) in Figure 8.

ITEM NO.	PART NUMBER	QTY.
1	TIKI-KK	4
2	TIKI-MM	2

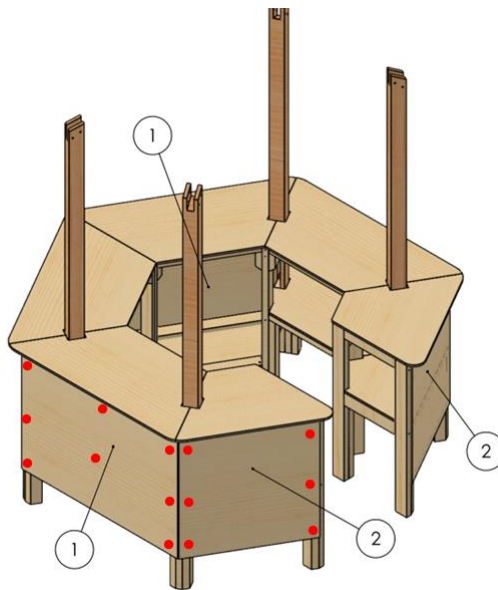


Figure 8



10) Add foot rest ledge as shown in Figure 9 using 6" screws(Bag #4).

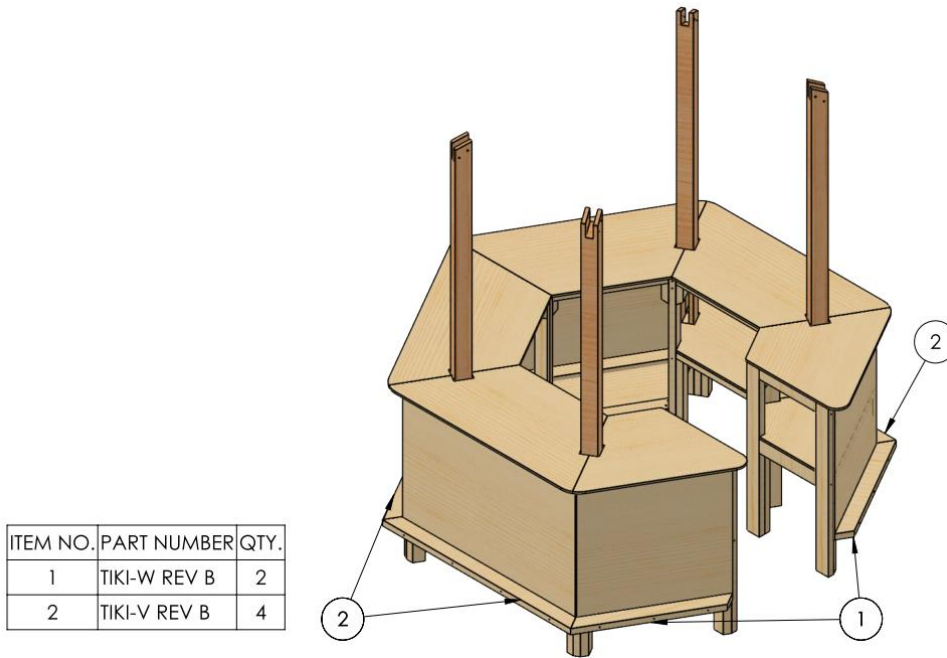


Figure 9

11) Connect all rafters (Tiki-9) to the center hanger using two 4" screws(Bag #5) to each rafter as shown in Figure 10. Make sure rafter is correctly orientated as shown in Figure 10. Align the top of the rafter with the top of the aluminum hanger. Predrill all screws with 1/8" bit.

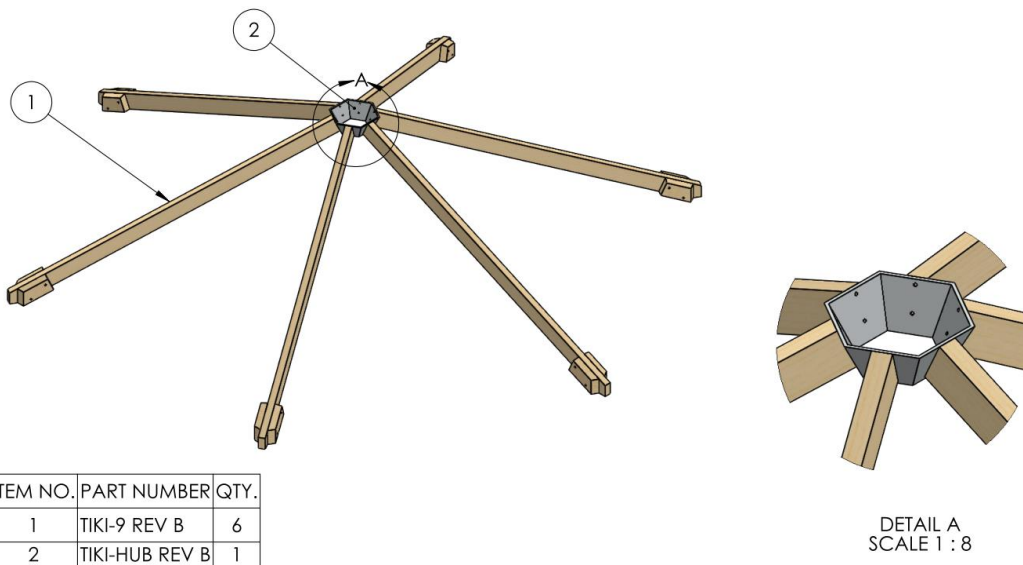


Figure 10



12) Attach all fascia boards to form the hexagon shape of the roof, align the bottoms of the boards and secure with two 3" screws(Bag #1) per end. See Figure 11 for details.

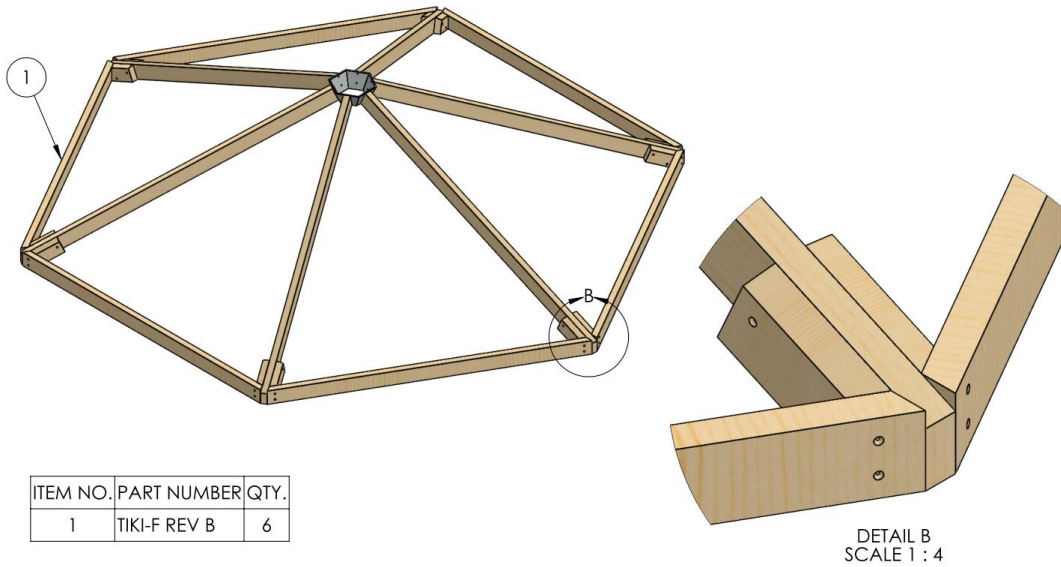


Figure 11

13) Attach truss purlins in place starting with the top and working your way down to the bottom. Attach using 2 1/2" screws(Bag #2). Align the bottom of the purlins with the mark on the roof truss. See Figure 12.

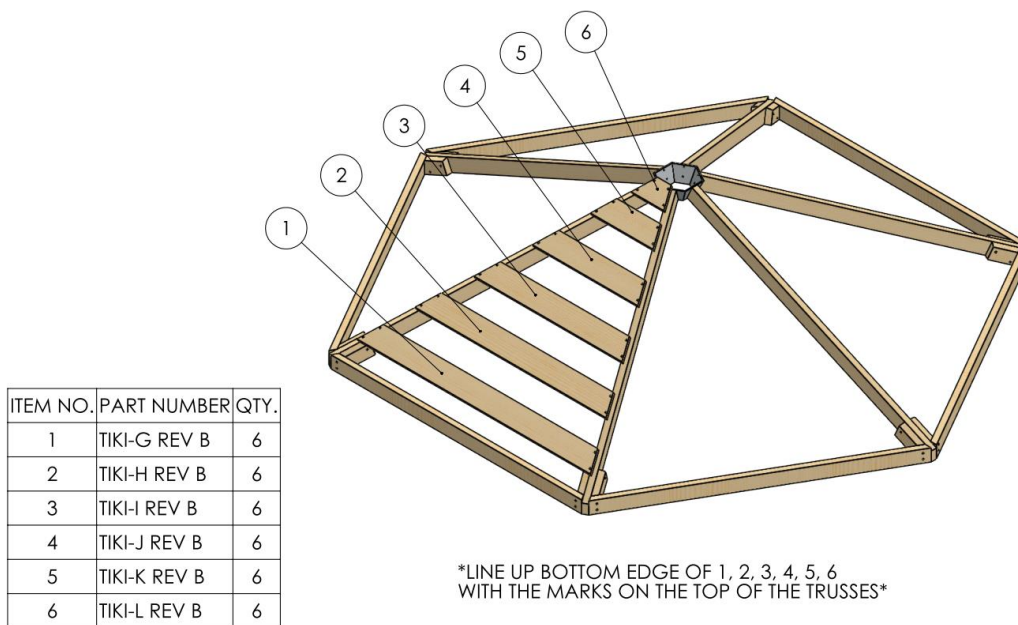


Figure 12



14) Complete the remaining 5 sections of the purlins in the same manor see Figure 13.

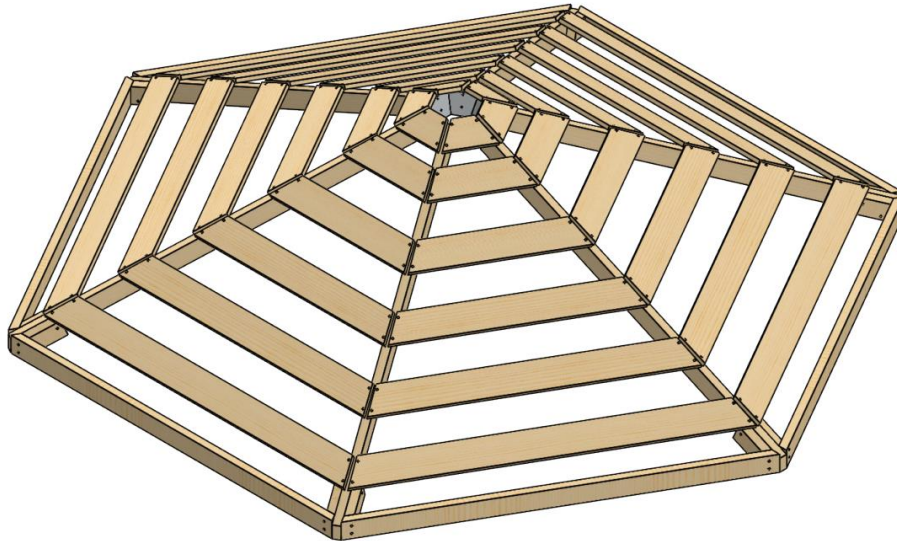


Figure 13

15) Roof thatch is precut to the following lengths: #1-39', #2-29', #3-19'. Attach the thatch to the corresponding boards as shown in Figure 14 using staples. At each roof truss where the board changes directions, make a loop in the thatch as shown in Figure 15 and staple on both sides of the loop. Then push the loop down and staple the center down in place as shown in Figure 16. Staple thatch every 4 inches on every perlin.

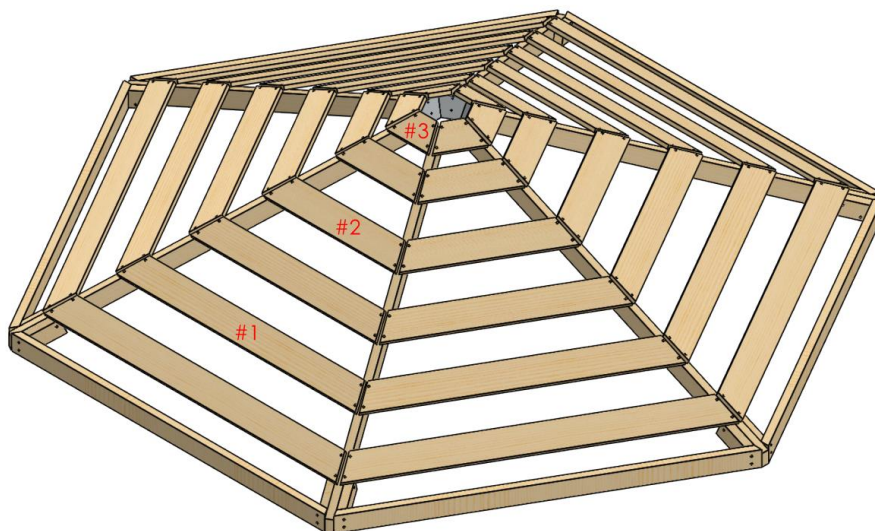


Figure 14

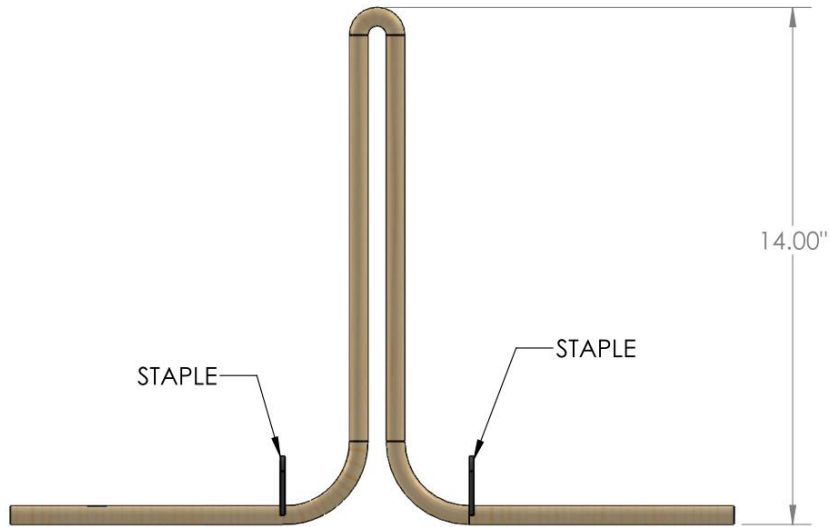


Figure 15

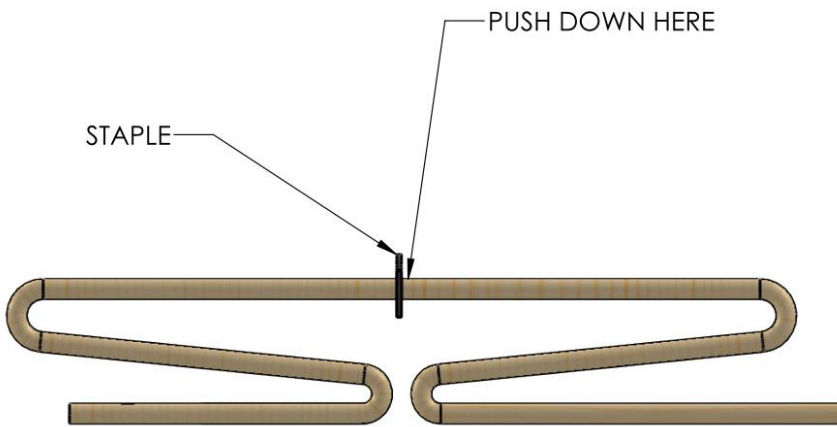


Figure 16

- 16) Install the thatch cap on top of the roof with staples.
- 17) Lift the roof into place and attach to the 4 cedar vertical posts using 3" screws(Bag #1).

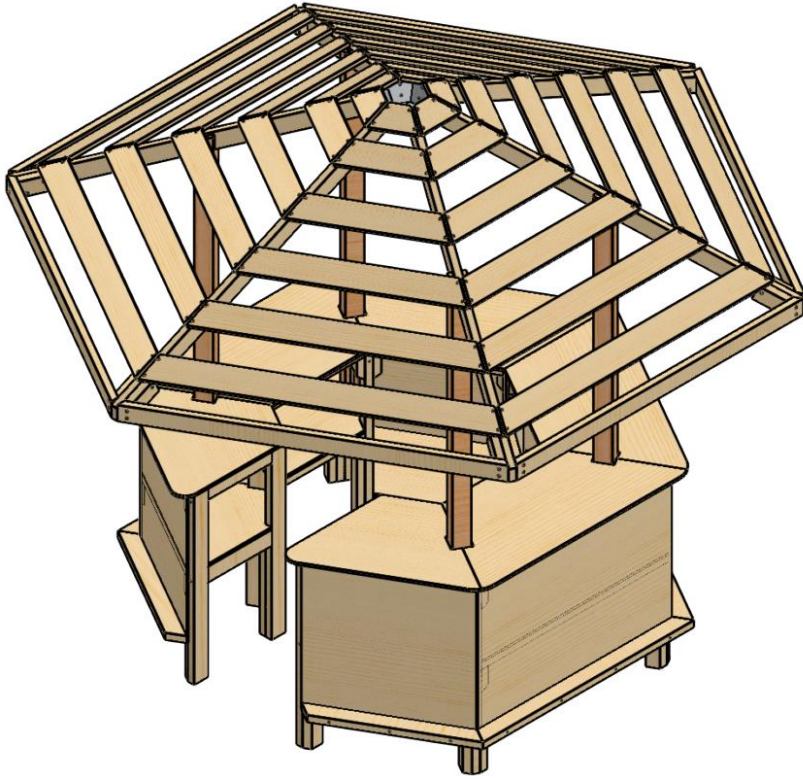


Figure 17

18) Sand all rough edges, stain and seal as desired.