



# PRODUCT ASSEMBLY INSTRUCTIONS:



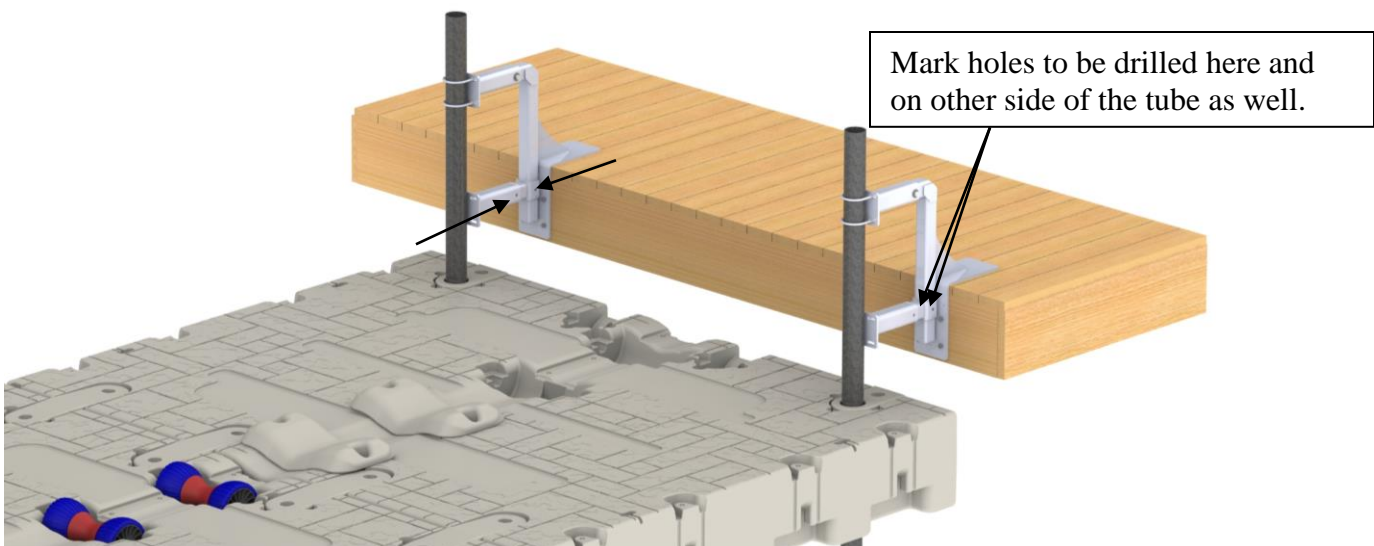
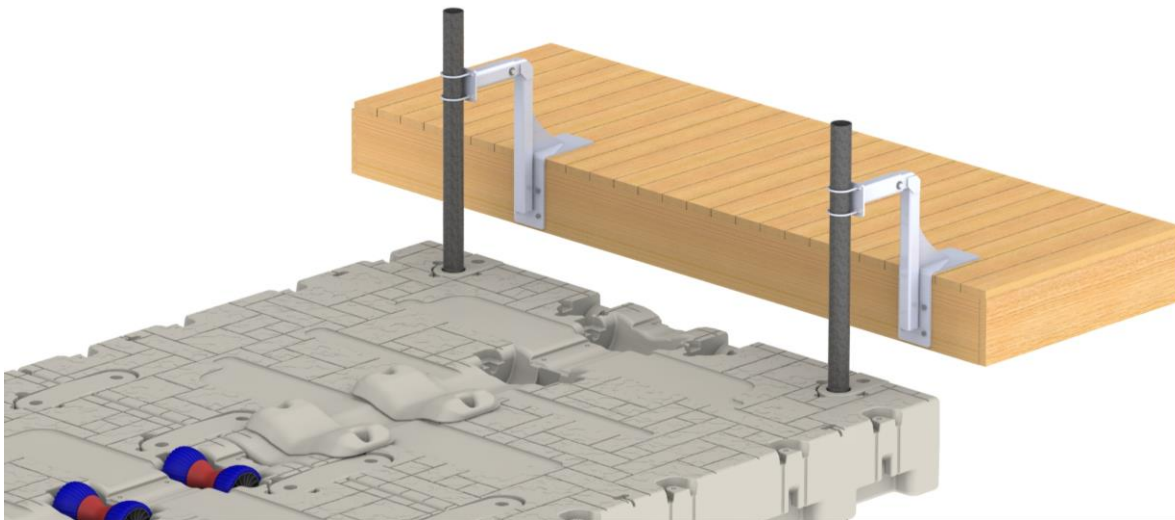
[www.wavearmor.com](http://www.wavearmor.com)

**Item # | Product Name:** 302039 Extra Support for Raised Pipe Mount 2"

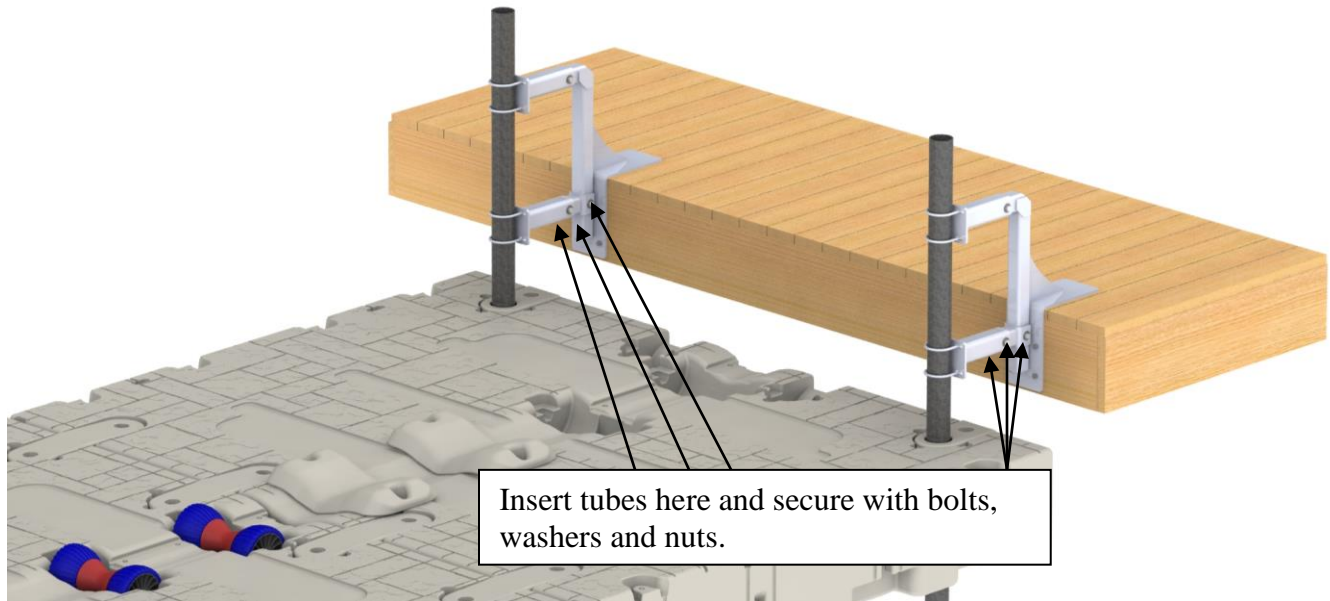
Parts List:	Tools Needed:
1. Aluminum Tube with Flat Plate for U-bolts qty 2	1. 1/2" Drill
2. Aluminum Tube with U-shaped bracket qty 2	2. 1/2" Drill Bit
3. U-bolt qty 4	3. Ratchet and 3/4" socket
4. 1/2" x 4" bolt qty 4, 1/2" washer qty 16, 1/2" nut qty 24	4. 3/4" wrench
5.	5.

## Assembly Instructions:

1. Insert extra support bar into position as shown below. Make sure the slots on the flat are in a horizontal position. Hold tubes in place and mark the holes to be drilled in four places for each support bar. Repeat for second support tube. Remove tubes and drill out the marked places with a 1/2" drill bit.



2. Secure tube with the flat plate to the tube with the U-shaped bracket using the 1/2" x 4" bolt, washers and nut. Insert assembled support tubes into place between the post and the raised mount. Secure to the raised mount using the 1/2" x 4" bolt, washers and nut.



3. Attach U-bolts over pipes and into slots on the flat plate as shown below. Tighten a washer and nut onto each leg of the U-bolt. Once they are tight, thread a second nut onto each leg and then tighten the nuts against each other. This will help keep the nuts and U-bolts from coming loose.

