

Wave Armor PONTON PORT

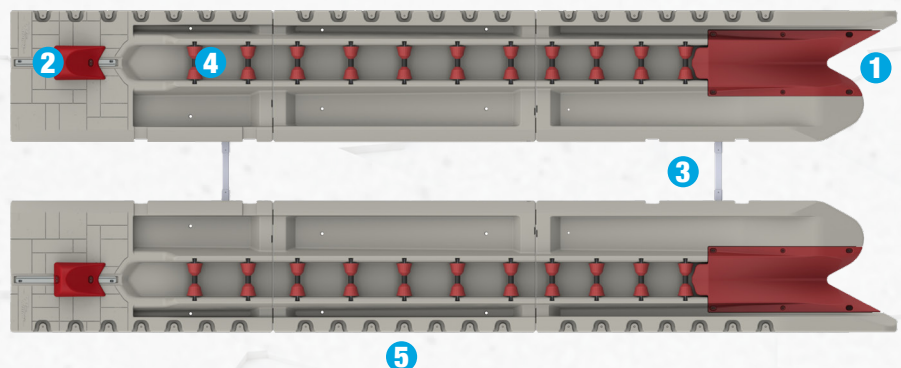
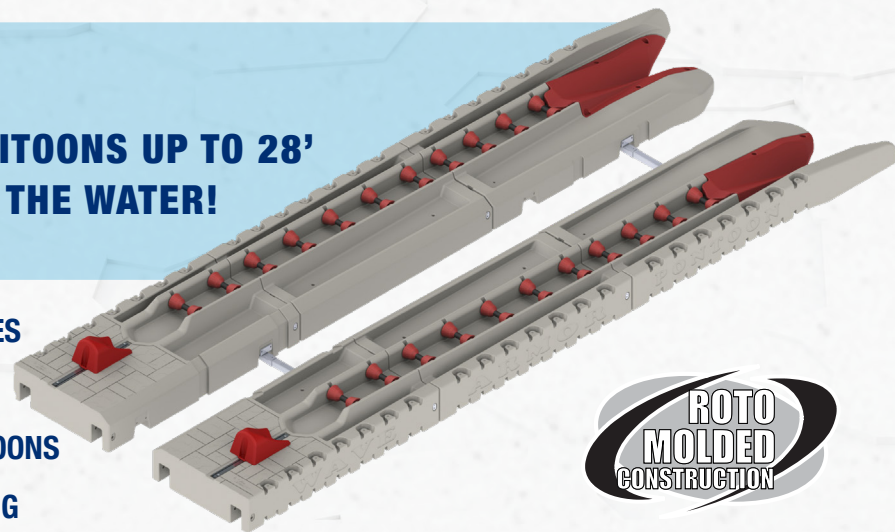


A GAME CHANGER IN PONTON DOCKING!



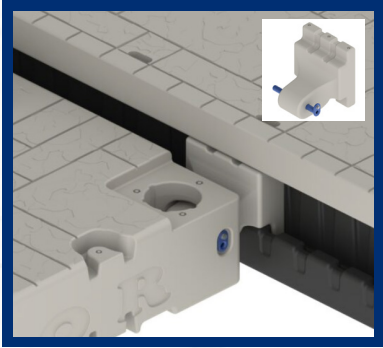
**NO POWER NEEDED
FITS PONTOONS AND TRITOONS UP TO 28'
SECONDS TO LAUNCH ON THE WATER!**

- 1 HEAVY DUTY SELF-CENTERING ENTRANCE GUIDES
- 2 ADJUSTABLE BOW STOP
- 3 ADJUSTABLE CENTER BEAM TO FIT MOST PONTOONS
- 4 22 BOW-TIE ROLLERS FOR EASY ON/OFF LOADING
- 5 MULTIPLE MOLDED-IN MOUNTING POCKETS WITH FRONT AND SIDE MOUNTING OPTIONS



SCAN ME

PONTOON PORT CONNECTIONS & ACCESSORIES

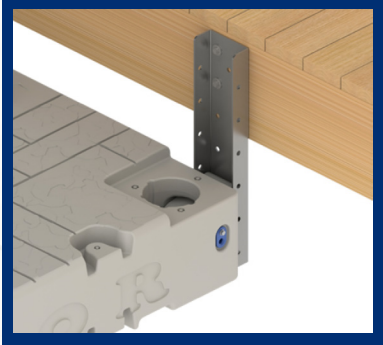


FRONT MOUNT DIRECT CONNECT TO WAVE DOCK KIT

Designed specifically for the pontoon port and pro port series, this one piece receiving bracket slides directly into the H-Beam channel of the Wave Armor dock section, making it the easiest and fastest mounting connection on the market.

Allows for hinged like movement during wave action

Hardware included · Requires 2 kits per installation

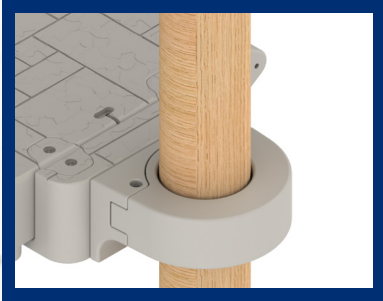


FRONT MOUNT TO FLOATING DOCK KIT

This heavy duty poly bracket is designed specifically for the pontoon port and pro port series creating a receiver that attaches to the galvanized C-Channel on one side and connected with a pin to the port front mounting pocket. Designed for securing to any floating dock structure.

Hardware included · Requires 2 kits per installation

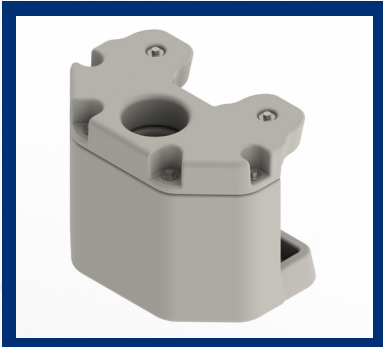
2 sizes available: 19.75" C-Channel, 25.75" C-Channel



PYLON HOOP ATTACHMENT KIT

This heavy duty rotomolded pylon hoop utilizes pylons up to 8", 10" and 12" in diameter and due to its special design, it can be easily attached to both new and existing pylons.

3 diameter sizes available: 8", 10", 12"

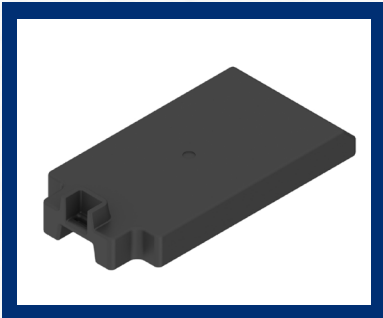


PONTOON PORT PIPE ANCHORING KIT

This anchoring kit allows the pontoon port to be installed as a stand-alone unit utilizing pipe mount type of installation or inside of a boat slip without mounting directly to a dock. It can also be used to mount the pontoon port to the seawall in combination with other brackets. Designed to attach over any of the molded-in (horseshoe shaped) pockets located along the perimeter of the pontoon port.

2" and 3" pipe sizes available

Rotomolded construction · Includes: 2 brackets, hardware



BUOYANCY BOOSTER PONTOON

Designed specifically for the pontoon port this buoyancy booster provides an extra 250 lbs. of floatation per booster.

The booster can be installed along the perimeter of the pontoon port in multiple molded-in underside pockets, even after full port installation is completed. Set of 2 included.

No tools or hardware needed for the installation.

Rotomolded shell