



PRODUCT ASSEMBLY INSTRUCTIONS:



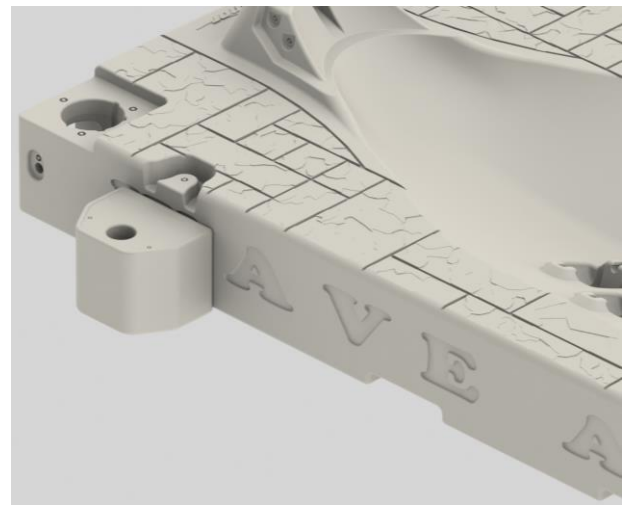
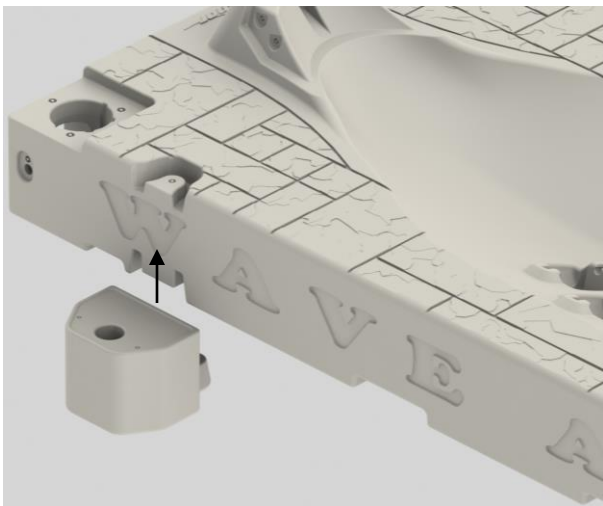
www.wavearmor.com

Item # | Product Name: 302650 Post Attachment 3" for Pro Series PWC Port

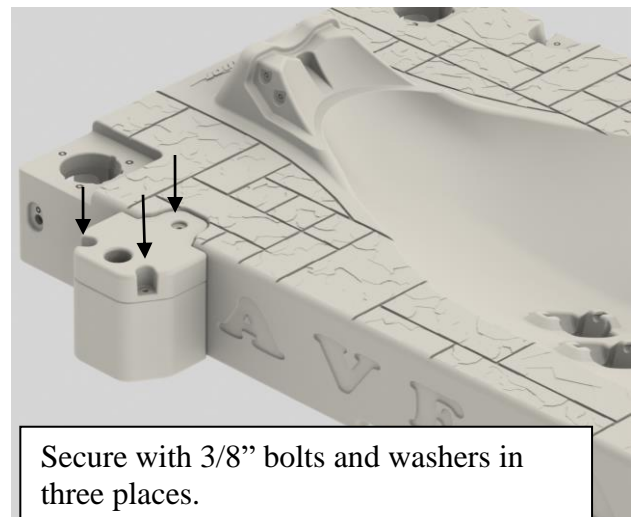
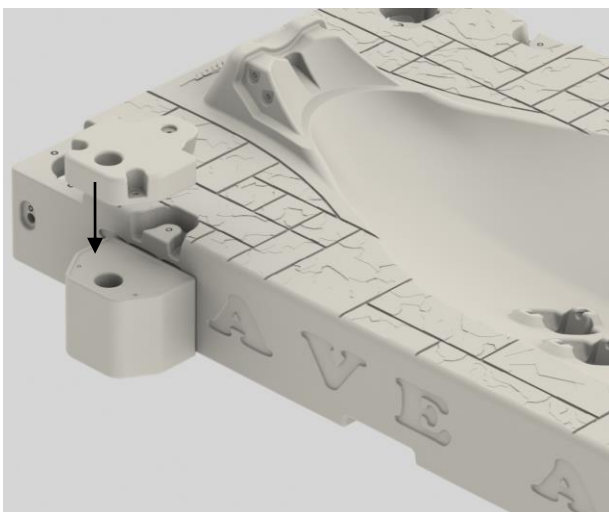
Parts List:	Tools Needed:
1. Plastic Post Attachment Top 3" qty 2	1. Ratchet and 9/16" socket
2. Plastic Post Attachment Bottom 3" qty 2	2.
3. 3/8 x 1.5" bolt qty 6, 3/8" lock washer qty 6, 3/8" heavy washer qty 6	3.
4.	4.
5.	5.

Assembly Instructions:

1. Align post attachment bottom piece with recessed area in the port bottom as shown below. Slide piece upward into the recess.



2. Align post attachment top piece with the recessed area on the top of the port as shown below. Place into the recessed area. Secure with 3/8" bolts, lock washers, and heavy washers. Repeat process for second post attachment.



Secure with 3/8" bolts and washers in three places.