



PRODUCT ASSEMBLY INSTRUCTIONS:



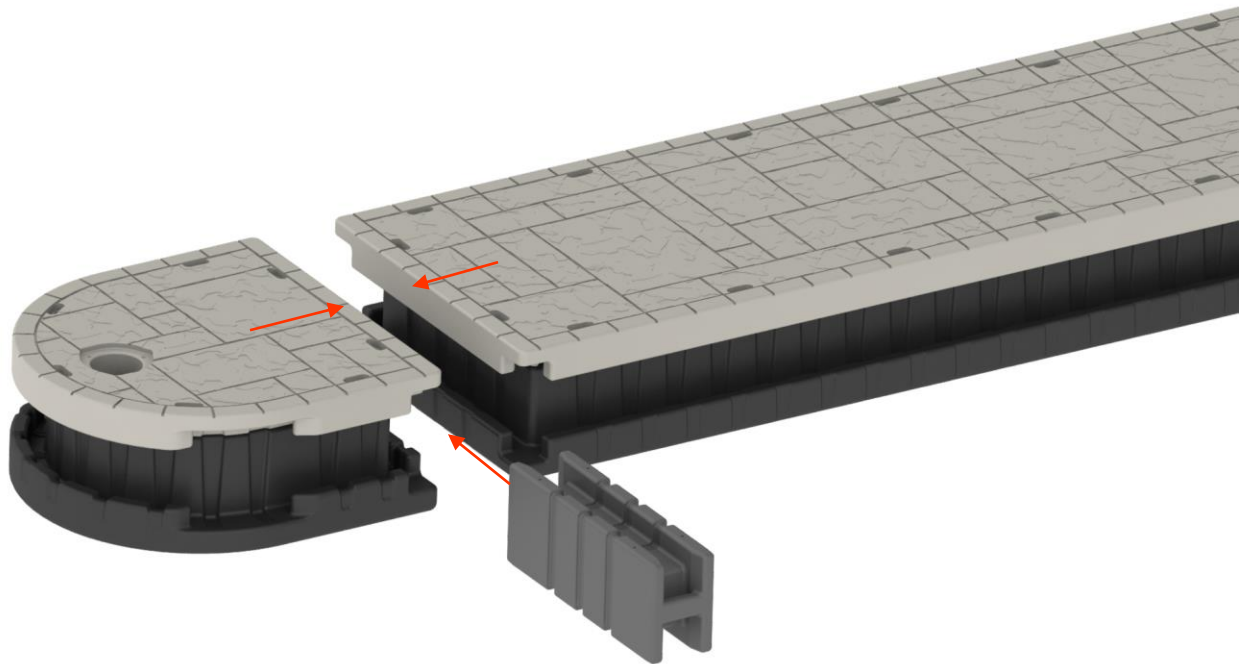
wavearmor.com

Item # | Product Name: #302055 40" Half Round Dock End

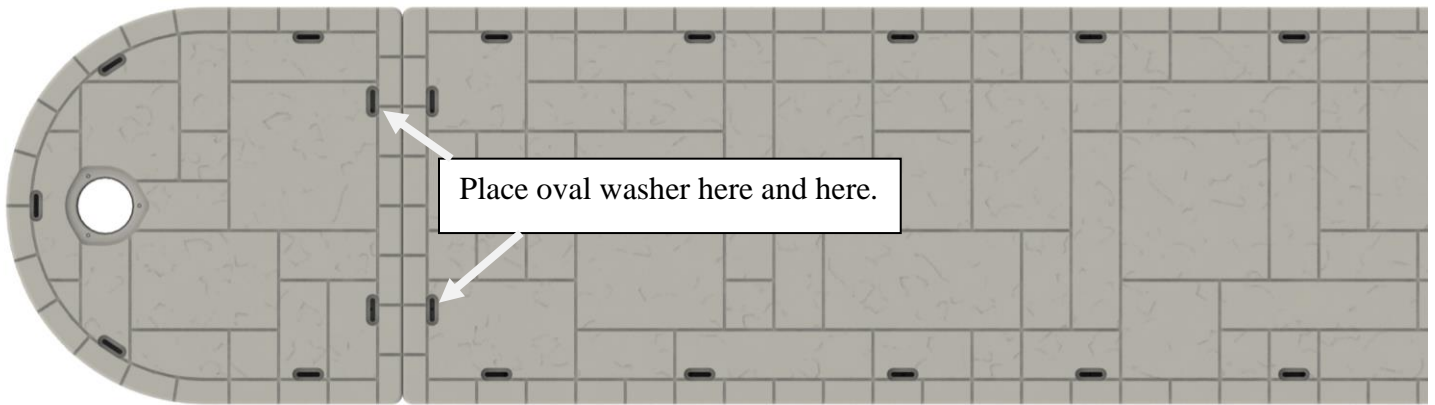
Parts List:	Tools Needed:
1. 40" Half Round Section	1. Ratchet and 9/16" socket
2. 31" H-Beam (Sold separately)	2. Lubricant (optional)
3. Hdwe supplied with H-Beam 3/8 x 2" bolt qty 4, Oval washer qty 2, Heavy washer qty 2, Lock washer qty 2	3. Mallet or Maul
4.	4.
5.	5.
6.	6.

Assembly Instructions:

- Align the 40" half round section with the 40" dock section as shown below. Push the two sections together and slide the 31" H-beam into the channels. Lubrication will help the H-beam to slide in easier. It may be necessary to pound the H-beam into place. Make sure the threaded inserts in the H-beam are facing up. Slide the H-beam inward until the threaded inserts line up with the slots in the dock.



- When the sections are aligned they may be secured using the 3/8 x 2" bolts and washers. Place the two oval washers in the slots as shown below and the two heavy washers in the other two slots. The bolts and washers are assembled as shown. It may be necessary to adjust the H-beam slightly to align everything properly. Tighten bolts securely.



- Completed unit.

