



PRODUCT ASSEMBLY INSTRUCTIONS:



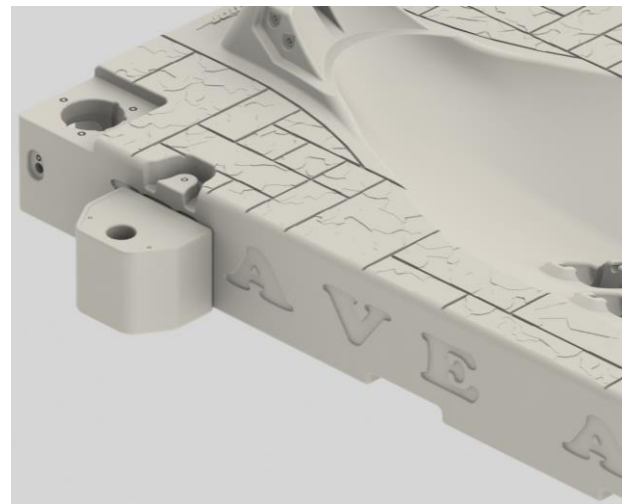
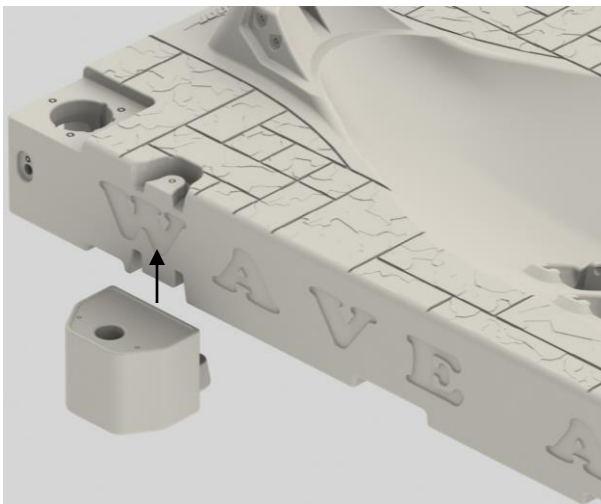
www.wavearmor.com

Item # | Product Name: 302649 Post Attachment 2" for Pro Series PWC Port

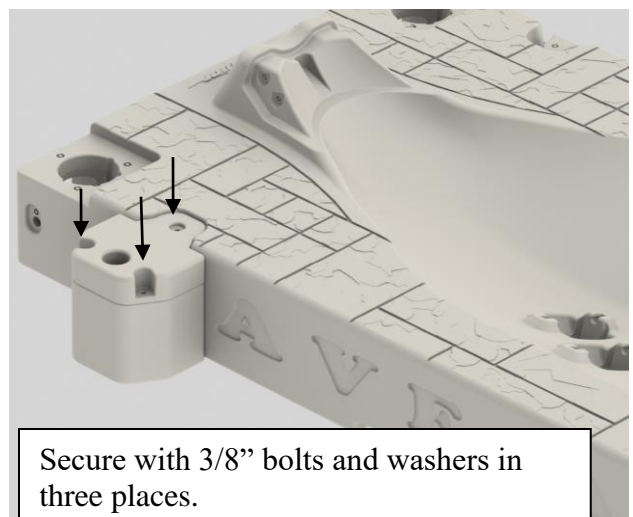
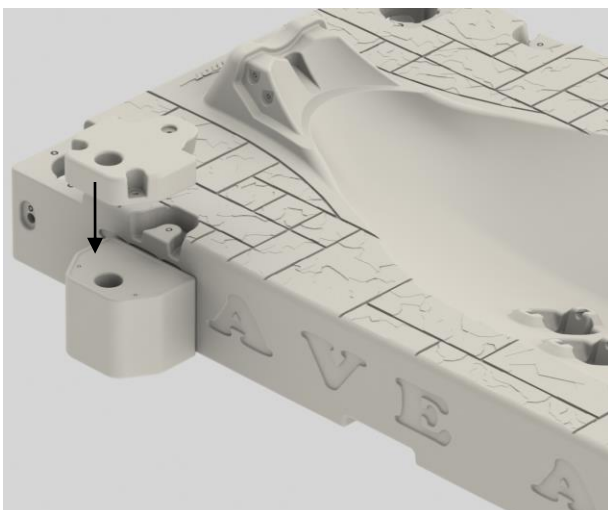
Parts List:	Tools Needed:
1. Plastic Post Attachment Top 2" qty 2	1. Ratchet and 9/16" socket
2. Plastic Post Attachment Bottom 2" qty 2	2.
3. 3/8 x 1.5" bolt qty 6, 3/8" lock washer qty 6, 3/8" heavy washer qty 6	3.
4.	4.
5.	5.

Assembly Instructions:

- Align post attachment bottom piece with recessed area in the port bottom as shown below. Slide upward into the recess.



- Align post attachment top piece with the recessed area on the top of the port as shown below. Place into the recessed area. Secure with 3/8" bolts, lock washers, and heavy washers. Repeat process for second post attachment.



Secure with 3/8" bolts and washers in three places.